

HX6689 a linear Hall-effect sensor, is composed of Hall sensor, linear amplifier and Totem-Pole output stage. It features low noise output, which makes it unnecessary to use external filtering. It also can provide increased temperature stability and accuracy. The linear Hall sensor has a wide operating temperature range of -40°C to $+105^{\circ}\text{C}$, appropriate for commercial, consumer, and industrial environments.

The high sensitivity of Hall-effect sensor accurately tracks extremely weak changes in magnetic flux density. The linear sourcing output voltage is set by the supply voltage and in proportion of vary of the magnetic flux density. Typical operation current is 2.5mA and operating voltage range is 3.0 volts to 6.5 volts.

The UA package style available provides magnetically optimized solutions for most applications. The SQ package is a three-lead ultra-mini SMD and ST are the industrial standard package in SMT process.

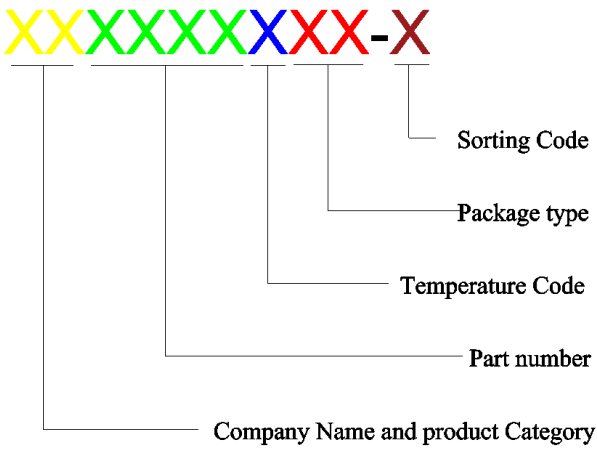
Features and Benefits

- Operating Voltage Range: 3.0V~6.5V
- Power consumption of 2.5 mA at 5 V_{DC} for energy efficiency
- Low-Noise Operation
- Linear output for circuit design flexibility
- Totem-Pole for a stable and accurate output
- Responds to either positive or negative gauss
- Small package for SMD
- Magnetically Optimized Package for SIP
- Cost competitive
- Robust ESD performance

Applications

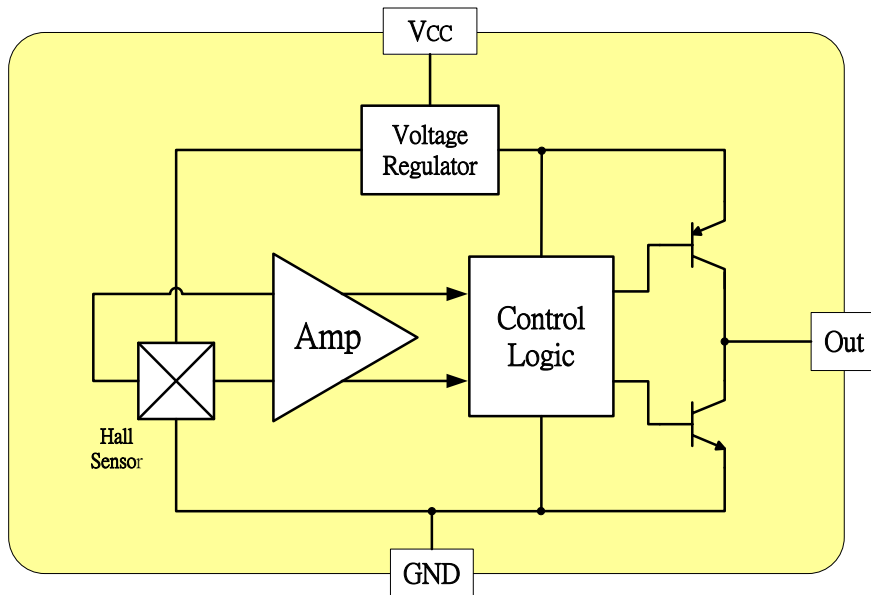
- Current sensing
- Motor control
- Position sensing
- Magnetic code reading
- Rotary encoder
- Ferrous metal detector
- Vibration sensing
- Liquid level sensing
- Weight sensing

Ordering Information

<p>XXXXXXXX-XX</p> 	<p>Company Name and Product Category HX:HX Hall Effect/MP:HX Power IC</p> <p>Part number 6286,6275,6278,6287,6383,6474,6571,6572,6573,6574...</p> <p>If part # is just 3 digits, the forth digit will be omitted.</p> <p>Temperature range E: 85 °C, I: 105 °C, K: 125 °C, L: 150 °C</p> <p>Package type UA:TO-92S,VK:TO-92S(4pin),VF:TO-92S(5pin),SO:SOT-23, SQ:QFN-3,ST:TSOT-23,SN:SOT-553,SF:SOT-89(5pin), SS:TSOT-26,SD:DFN-6</p> <p>Sorting α, β, Blank.....</p>
---	---

Part No.	Temperature Suffix	PackageType
HX6689IUA	I (-40°C to + 105°C)	UA (TO-92S)
HX6689ISQ	I (-40°C to + 105°C)	SQ (QFN2020-3)
HX6689IST	I (-40°C to + 105°C)	ST(TSOT-23)

Functional Diagram



Absolute Maximum Ratings At ($T_a=25^{\circ}\text{C}$)

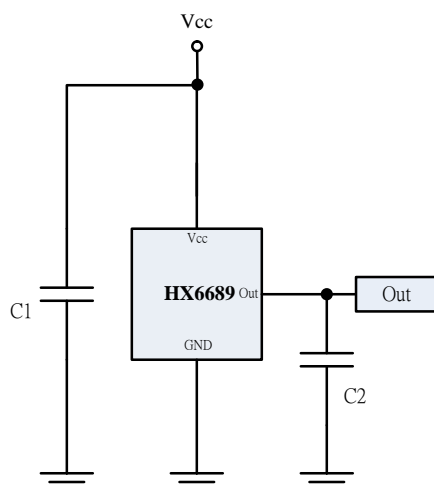
Characteristics		Values	Unit
Supply Voltage, (VCC)		8	V
Reverse Voltage, (VCC)		-0.5	V
Magnetic Flux Density		Unlimited	Gauss
Output Current, (IOUT)		10	mA
Operating Temperature Range, (T_a)	“I” version	-40 to +105	$^{\circ}\text{C}$
Storage temperature range, (T_s)		-65 to +150	$^{\circ}\text{C}$
Maximum Junction Temp, (T_j)		150	$^{\circ}\text{C}$
Thermal Resistance	(θ_{ja}) UA / SQ / ST	206 / 543 / 310	$^{\circ}\text{C}/\text{W}$
	(θ_{jc}) UA / SQ / ST	148 / 410 / 223	$^{\circ}\text{C}/\text{W}$
Package Power Dissipation, (PD)UA / SQ / ST		606 / 230 / 400	mW

Note: Do not apply reverse voltage to Vcc and VOUT Pin, It may be caused for Missfunction or damaged device.

Electrical Specifications

DC Operating Parameters: $T_A=+25^{\circ}\text{C}$, $V_{CC}=5.0\text{V}$

Parameters	Test Conditions	Min	Typ	Max	Units
Supply Voltage, (VCC)	Operating	3.0		6.5	V
Supply Current, (ICC)	B=0 Gauss		2.5	5.0	mA
Output Current, (Io)	Vcc>3V	1.0	1.5		mA
Null Output Voltage, (V_{Null})	B=0 Gauss	2.3	2.5	2.7	V
Output Bandwidth, (Bw)			20		kHz
Output Voltage Span, (V_{os})		2.95	3.2		V
Magnetic Range Gauss		± 500	± 800		Gauss
Linearity	% of Span		0.7		
Response Time			3		μs
Sensitivity		1.9		2.1	mV/G
Electro-Static Discharge	HBM	3			kV

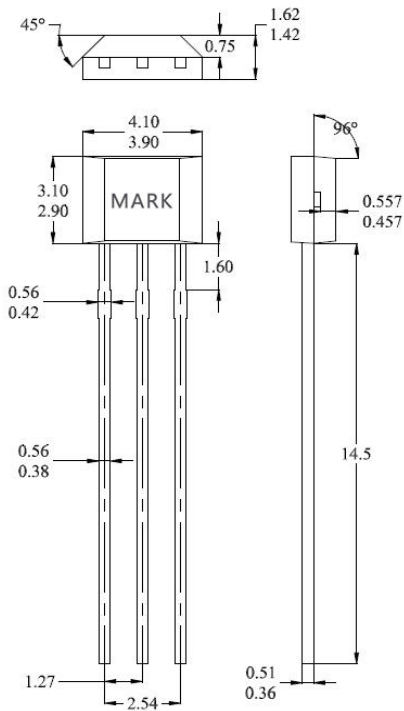
Typical application circuit


C1 : 1000PF

C2 : 10PF

Sensor Location, package dimension and marking

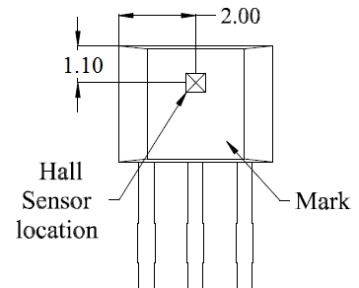
UA Package



NOTES:

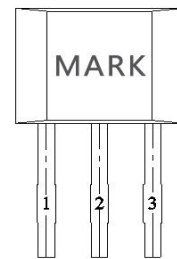
1. Controlling dimension:mm
2. Leads must be free of flash and plating voids
3. Do not bend leads within 1 mm of lead to package interface.
4. PINOUT:
 Pin 1 VCC
 Pin 2 GND
 Pin 3 Output

Hall Chip location

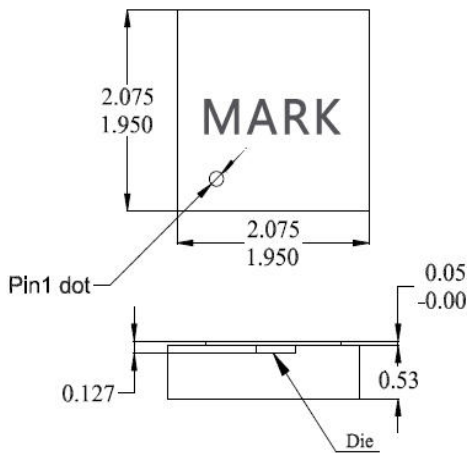


Output Pin Assignment

(Top view)

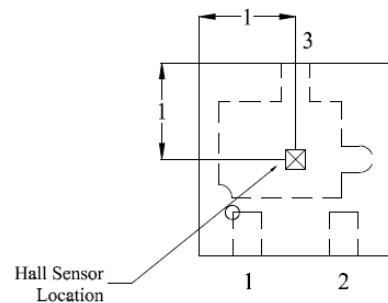


SQ Package

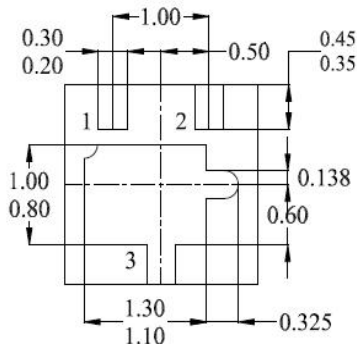


Hall Plate Chip Location

(Top view)



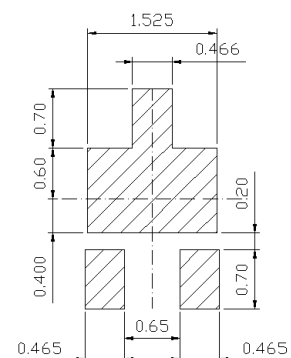
(For reference only) Land Pattern



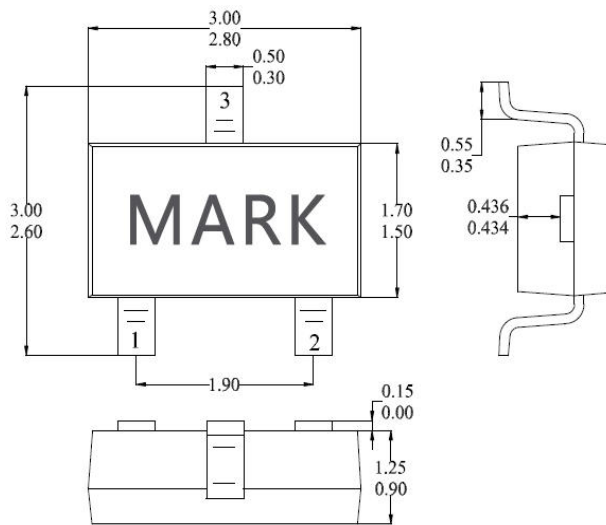
Bottom View

NOTES:

1. PINOUT (See Top View at left)
 Pin 1 VCC
 Pin 2 Output
 Pin 3 GND
2. Controlling dimension: mm;
3. Chip rubbing will be 10mil maximum;
4. Chip must be in PKG. center.



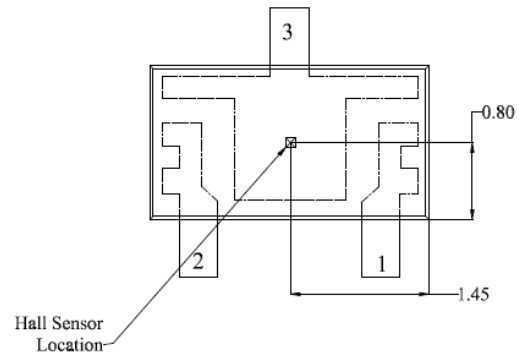
ST Package(TSOT-23)
(Top View)



NOTES:

1. PINOUT (See Top View at left:)
 - Pin 1 VDD
 - Pin 2 Output
 - Pin 3 GND
2. Controlling dimension: mm;

Hall Plate Chip Location
(Bottom view)



(For reference only) Land Pattern

